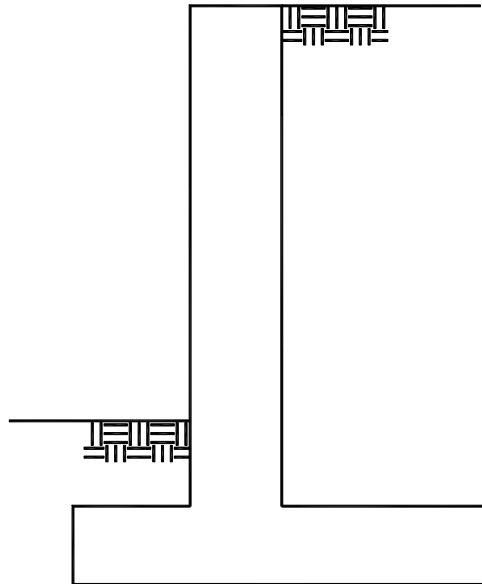


# Fairfax County

## Typical Retaining Wall Details

Based on the 2000 Virginia Uniform Statewide Building Code



### CONTENTS

Timber Retaining Wall.....	2
Reinforced Masonry Retaining Wall .....	4
Reinforced Concrete Retaining Wall.....	7
Typical Details .....	8

**The use of this package in lieu of submitted drawings applies to timber, reinforced masonry and reinforced concrete retaining walls with heights no greater than 5'-0", level backfill, no surcharge loading, and residential use only. The use of the *Fairfax County Typical Retaining Wall Details* for a tiered or stacked retaining wall system is strictly prohibited. Retaining walls must be constructed in strict conformance with the details contained herein. A copy of these retaining wall details is required to be on the job site and available to the inspector during the construction and inspection process.**



**Fairfax County**  
**VIRGINIA**

Typical Retaining Wall Details  
Based on the 2003 Virginia Uniform  
Statewide Building Code

# TIMBER RETAINING WALLS

## GENERAL NOTES

1. All lumber shall be 6x6, pressure treated in accordance with American Wood-Preservers' Association standards for ground contact, southern pine, grade #2 or better.
2. All spikes shall be 60d or equivalent, hot-dipped galvanized or stainless steel, and driven into pre-drilled holes. Spikes shall be of sufficient length to penetrate the base member a minimum of 2".
3. Member joints shall be staggered a minimum of 3'-6" from joints of the course above and below.
4. Each 6x6 member shall be secured at each end with 2-60d spikes driven vertically into the member below and . Corners shall be secured with 2-60d spikes, driven horizontally as shown in FIGURE 4.

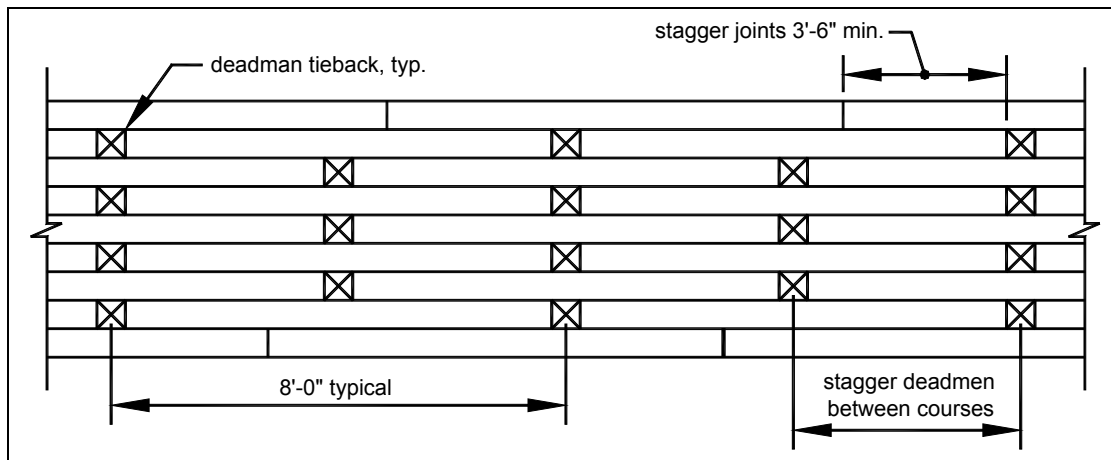


FIGURE 1: TYPICAL ELEVATION

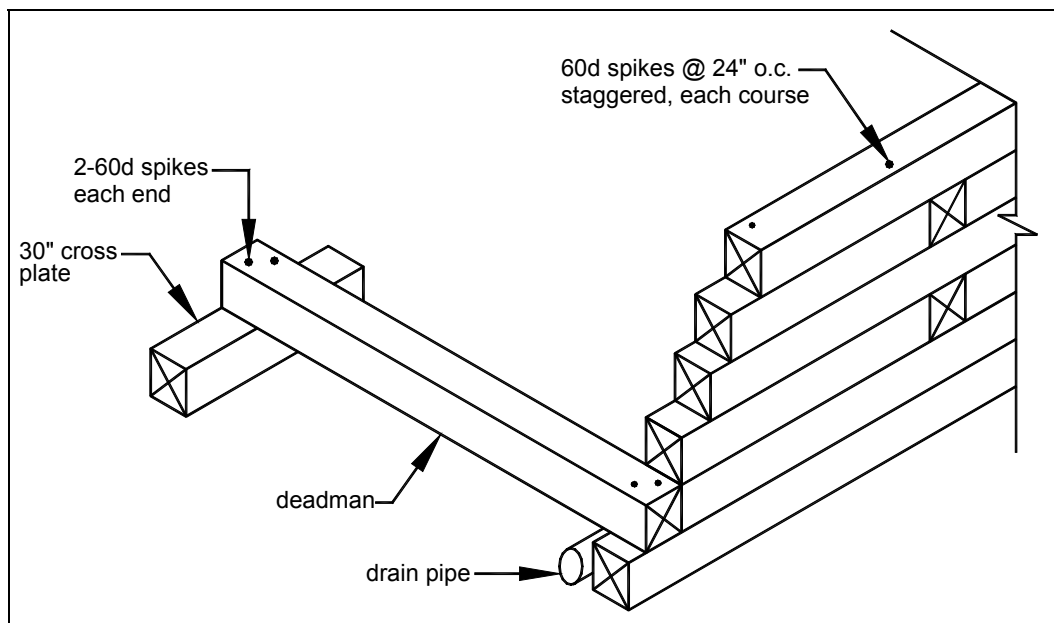
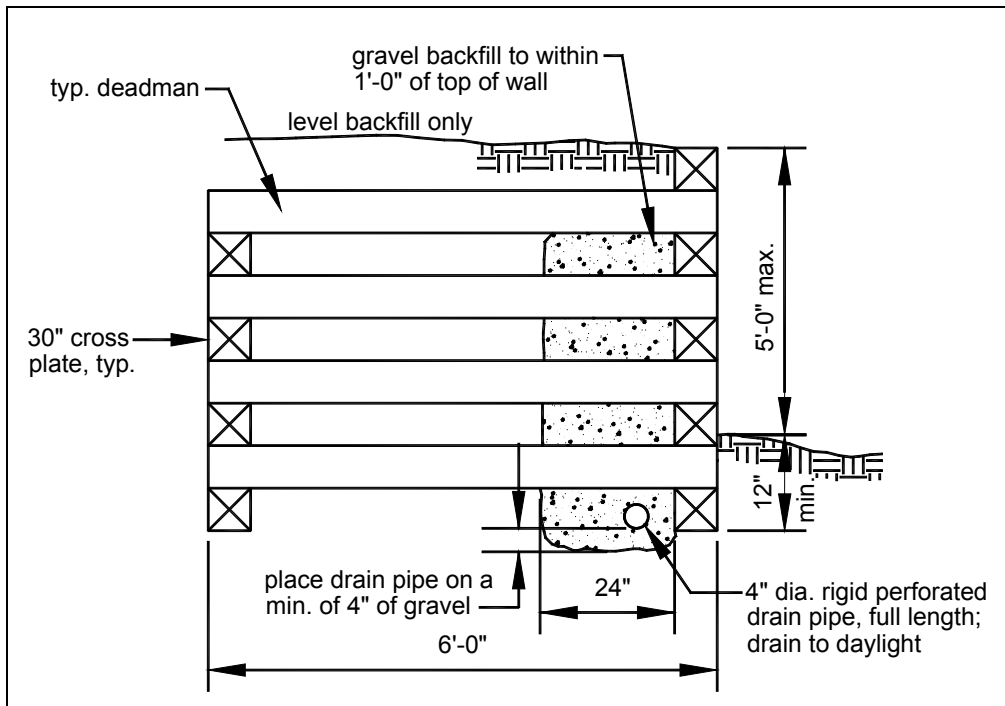


FIGURE 2: TYPICAL DEADMAN DETAIL

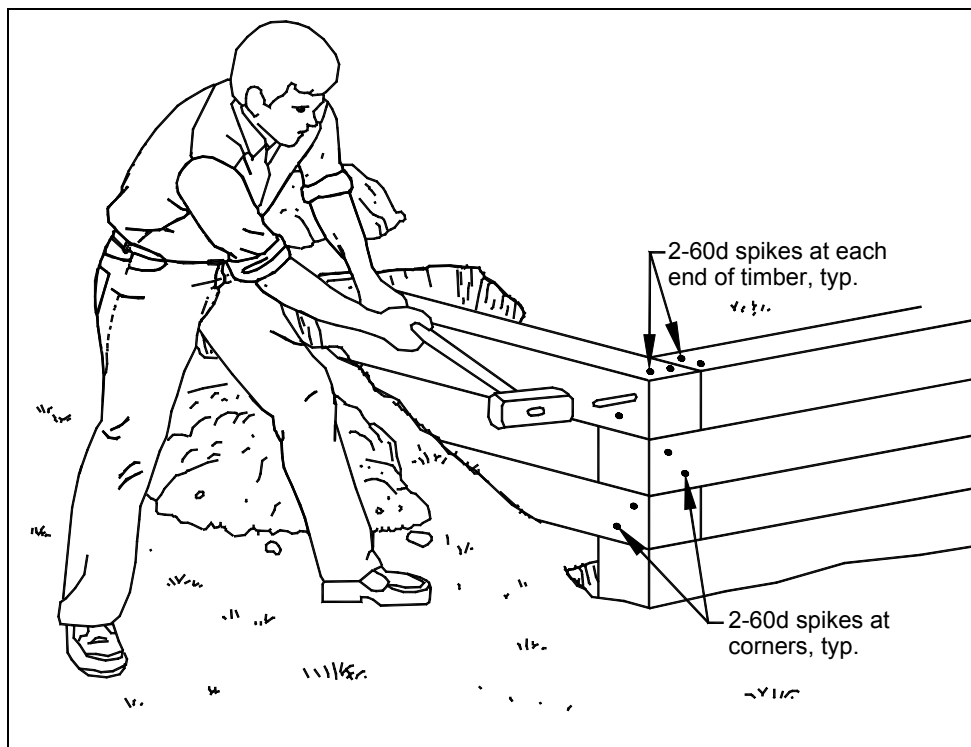


*Fairfax County*  
**VIRGINIA**

Typical Retaining Wall Details  
Based on the 2003 Virginia Uniform  
Statewide Building Code



**FIGURE 3: TYPICAL SECTION**



**FIGURE 4: TYPICAL CORNER DETAIL**



**Fairfax County**  
**VIRGINIA**

**Typical Retaining Wall Details**  
Based on the 2003 Virginia Uniform  
Statewide Building Code

# REINFORCED MASONRY RETAINING WALLS

## GENERAL NOTES

1. The minimum concrete compressive strength at 28 days shall be 3,000 PSI and shall comply with ACI 318.
2. Reinforcing steel shall comply with ASTM A615 and shall have a yield strength of 60,000 PSI.
3. Concrete masonry blocks shall comply with ASTM C90.
4. All joint reinforcement, ties and other accessories shall be resistant to corrosion.
5. All head and bed joints shall be 3/8" thick. Bed joints of the starting course over the concrete foundation may be between 1/4" and 3/4". Mortar shall conform to ASTM C270.
6. Backfilling against reinforced masonry retaining walls shall not be permitted until at least 7 days after placing concrete or grout in cores. Heavy equipment shall maintain a distance away from the wall equal to the wall's height. Care shall also be taken to avoid exerting large impact forces on the wall.

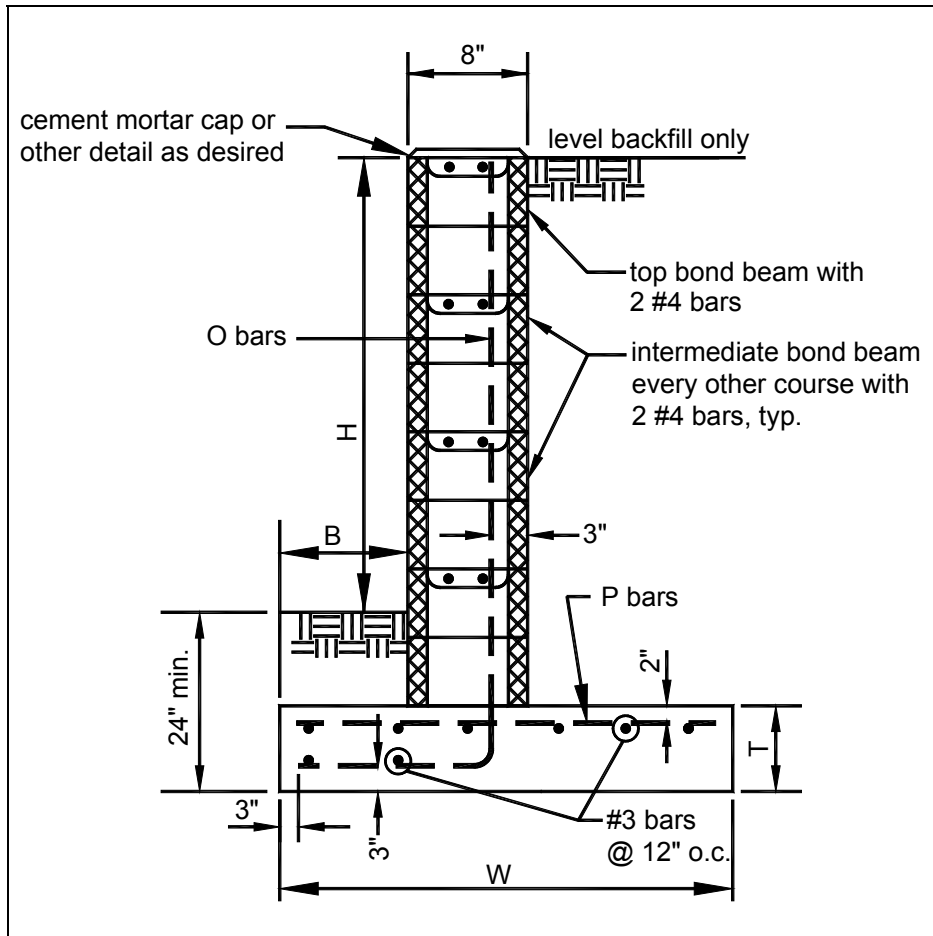


FIGURE 5: TYPICAL MASONRY WALL SECTION

TABLE 1: TYPICAL MASONRY WALL SPECIFICATIONS\*

Dimensions				Reinforcing Bars	
H	B	W	T	O	P
2'-0"	12"	2'-8"	9"	#3@32"o.c.	#3@27"o.c.
2'-9"	12"	3'-0"	9"	#4@32"o.c.	#3@27"o.c.
3'-6"	12"	3'-3"	10"	#5@32"o.c.	#3@27"o.c.
3'-10"	14"	3'-8"	10"	#4@16"o.c.	#4@30"o.c.
5'-0"	15"	4'-2"	12"	#6@24"o.c.	#4@25"o.c.

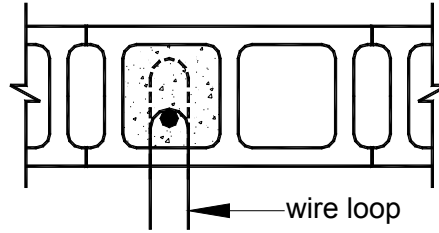
\*Reference: National Concrete Masonry Association.



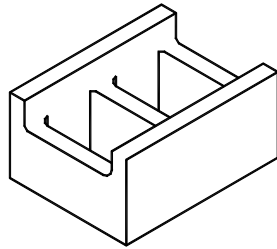
**Fairfax County**  
**VIRGINIA**

Typical Retaining Wall Details  
Based on the 2003 Virginia Uniform  
Statewide Building Code

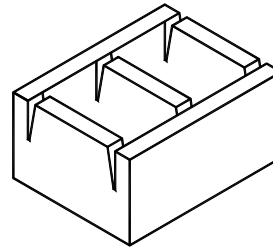
During construction, install wire loop in bed joint; loosen wire before mortar sets. Using wire loop, position vertical reinf. prior to grouting core.



**FIGURE 6: VERTICAL REINFORCEMENT TIE HOLD DETAIL**



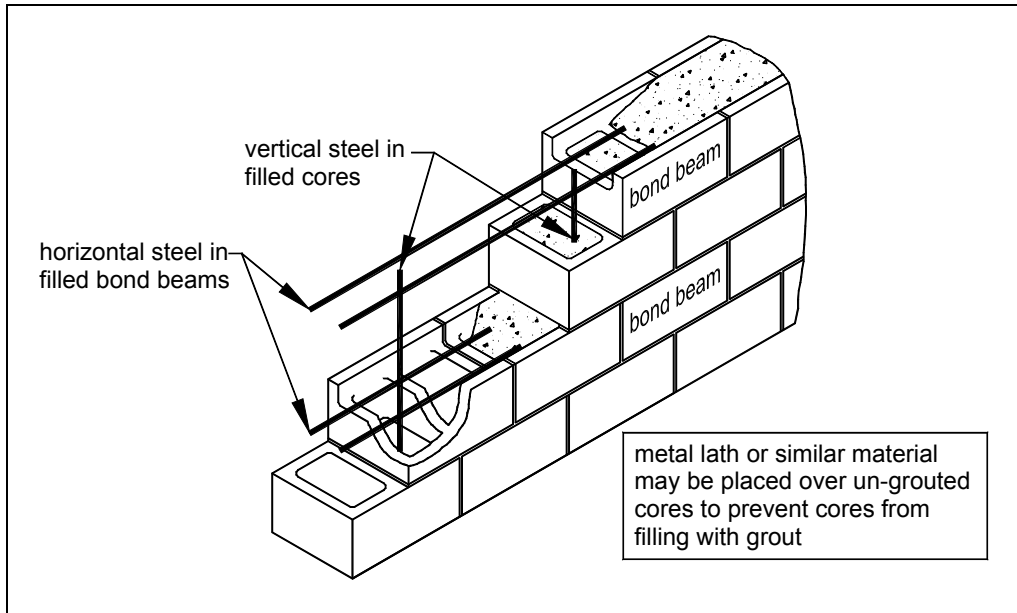
unit with section removed



slotted unit

(slots may be cast into unit or cut with a masonry saw)

**FIGURE 7: BOND BEAM BLOCK TYPE**

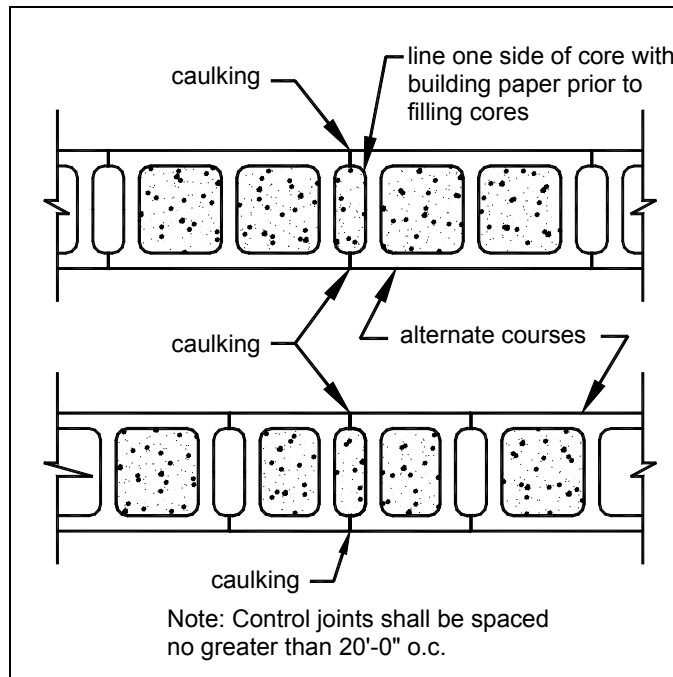


**FIGURE 8: TYPICAL WALL REINFORCEMENT DETAIL**

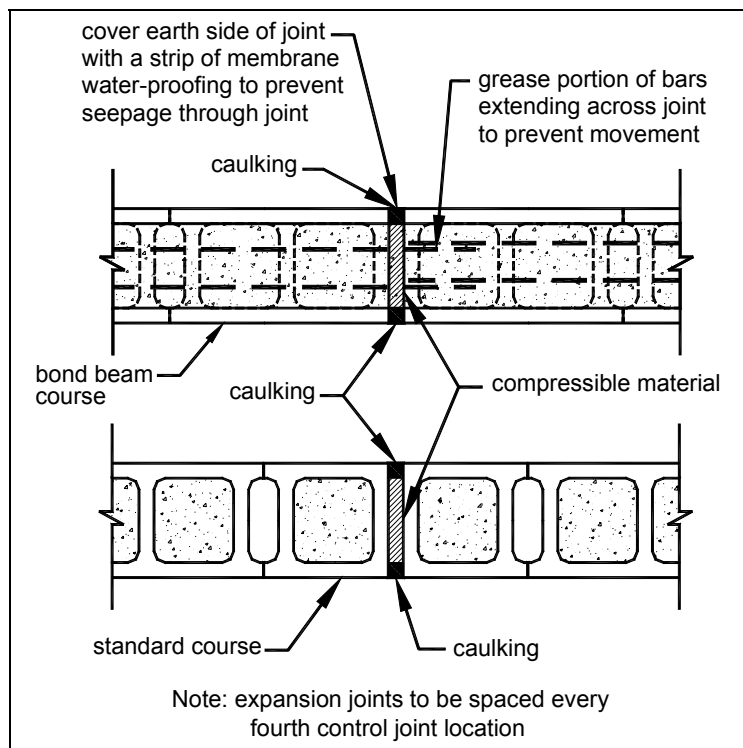


**Fairfax County**  
**VIRGINIA**

Typical Retaining Wall Details  
Based on the 2003 Virginia Uniform  
Statewide Building Code



**FIGURE 9: TYPICAL CONTROL JOINT DETAIL**



**FIGURE 10: TYPICAL EXPANSION JOINT DETAIL**

See Sheet 8 for more Typical Details.



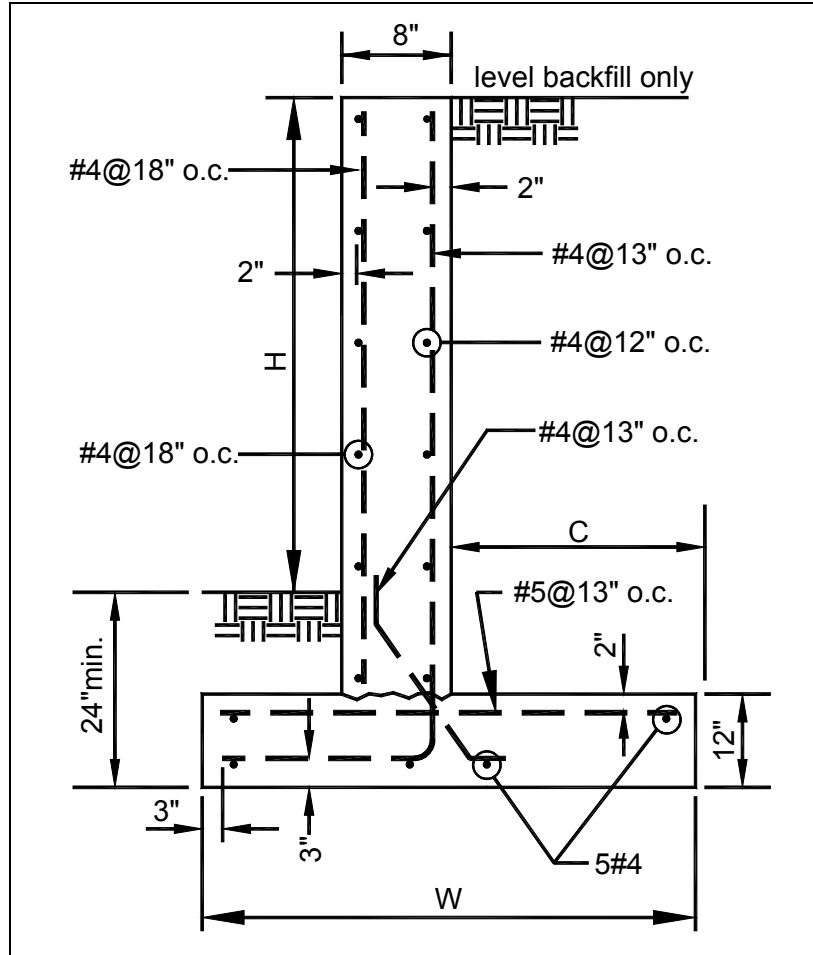
**Fairfax County**  
**VIRGINIA**

Typical Retaining Wall Details  
Based on the 2003 Virginia Uniform  
Statewide Building Code

# CONCRETE RETAINING WALLS

## GENERAL NOTES

1. The minimum concrete compressive strength at 28 days shall be 3,500 PSI and shall comply with ACI 318.
2. Reinforcing steel shall comply with ASTM A615 and shall have a yield strength of 60,000 PSI.
3. Backfilling against reinforced concrete retaining walls shall not be permitted until the concrete has reached its 28 day strength. Heavy equipment shall maintain a distance away from the wall equal to the wall's height. Care shall also be taken to avoid exerting large impact forces on the wall.



**FIGURE 11: TYPICAL CONCRETE WALL SECTION**

**TABLE 2: TYPICAL CONCRETE WALL DIMENSIONS\***

H	C	W
2'-0"	11"	2'-1"
3'-0"	1-3"	2'-7"
4'-0"	1'-8"	3'-1"
5'-0"	2'-0"	3'-7"

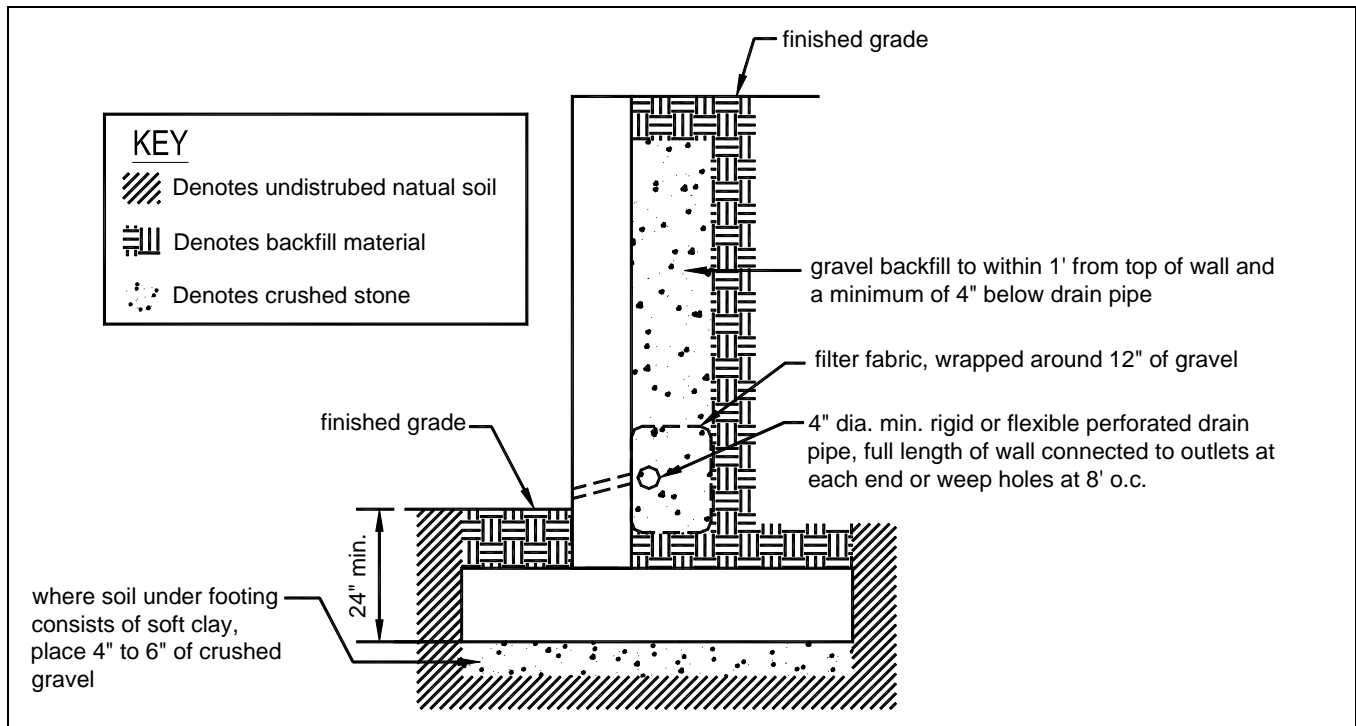
\*Reference: Concrete Reinforcing Steel Institute



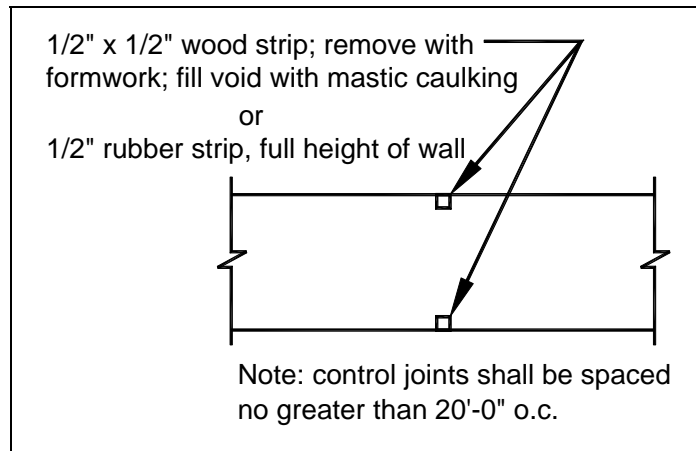
**Fairfax County**  
**VIRGINIA**

Typical Retaining Wall Details  
Based on the 2003 Virginia Uniform  
Statewide Building Code

# TYPICAL DETAILS (for masonry and concrete walls)



**FIGURE 12: TYPICAL BACKFILL AND DRAINAGE DETAIL**



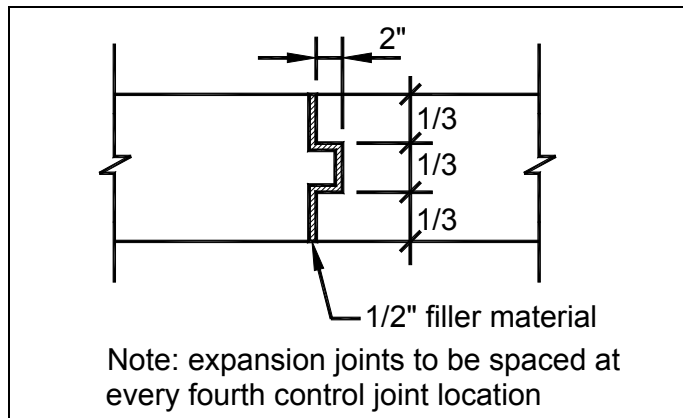
**FIGURE 13: TYPICAL CONTROL JOINT DETAIL**



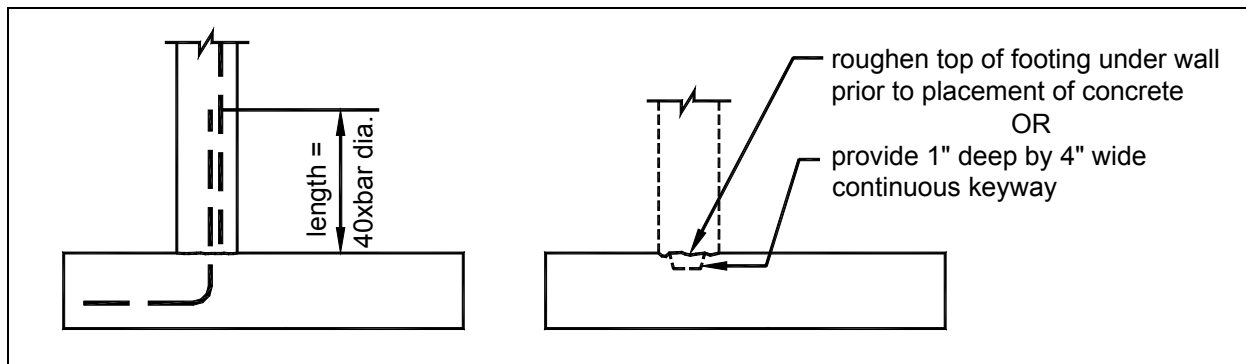
**Fairfax County**  
**VIRGINIA**

Typical Retaining Wall Details  
Based on the 2003 Virginia Uniform  
Statewide Building Code





**FIGURE 14: TYPICAL EXPANSION JOINT DETAIL**



**FIGURE 15: TYPICAL DOWEL AND KEYWAY DETAIL**

Fairfax County is committed to a policy of nondiscrimination in all County programs, services and activities and will provide this document in alternative formats and in different languages upon request. Please call 703-324-5033, TTY 711 or write Department of Public Works and Environmental Services, Suite 659, 12055 Government Center Parkway, Fairfax, VA 22035-5506. Please allow at least seven working days for preparation of material.



**Fairfax County**  
**VIRGINIA**

Typical Retaining Wall Details  
Based on the 2003 Virginia Uniform  
Statewide Building Code